

XCMG Hydraulic Excavator

XE140 I



Hydraulic Excavator - XE 140 I



A high-power Cummins engine provides excellent power output. It has good power curve and fuel consumption curve which makes it suitable for the actual working condition of the excavator. It features strong power, fuel conservation and good oil adaptability.



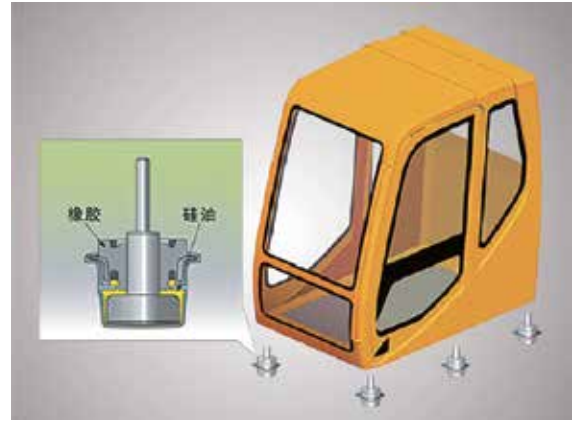
The new generation hydraulic components combined with the latest research results have higher efficiency, more accurate control, higher quality and reliability while ensuring long-term and reliable strong excavation and excellent operational efficiency.



A new generation of the main valve has more compact layout, small impact, high efficiency, better coordination, and higher transmission efficiency.



Fuel filters, oil filters, pilot filters, air filters, electrical boxes and other daily maintenance points are accessible on the ground which can save time and labor and is safe to maintain.



High-performance silicone oil damper with a damping spring added inside can effectively isolate specific band waves and improve comfort.



A new cab with a luxurious interior design and panoramic sunroof has a broader vision. Operation buttons are arranged to allow for upgraded driving experience.



The anti-rollover cab can be equipped with top guard, front guard and side guard to meet requirements of anti-falling objects and further improves the safety of the cab and operator.

Hydraulic Excavator - XE140 I

Hinge joint of boom and arm uses forge pieces. Finite element analysis is made overall to increase the strength and reduce weight, making it more durable.



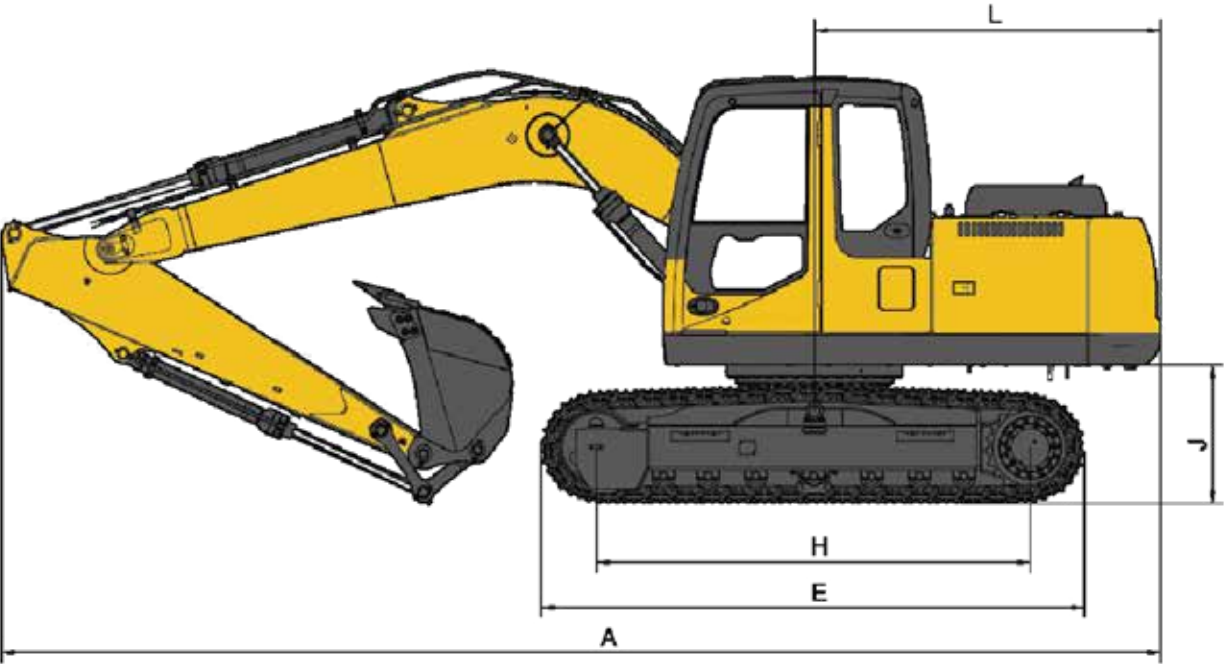
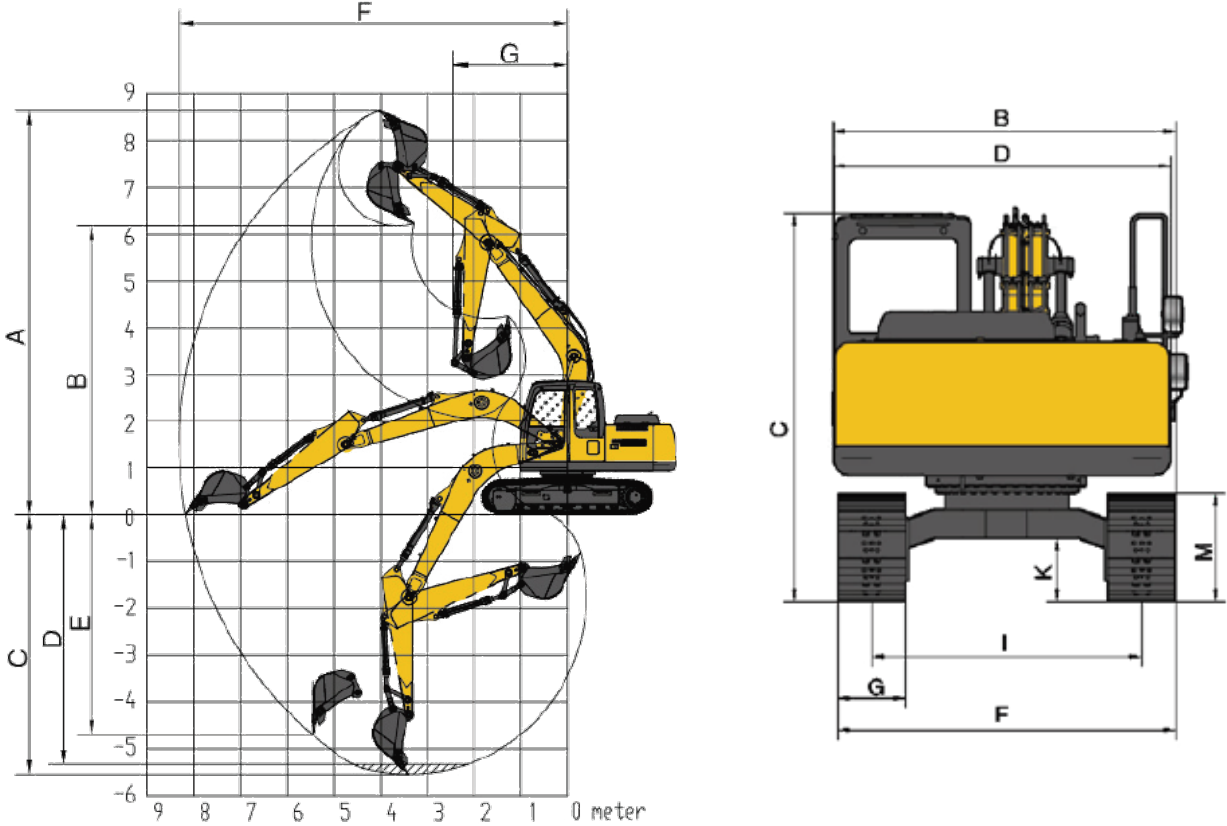
Reinforced X frame, slewing bearing ring carrier roller support and guide holder are used to strengthen non-deformability and adapt to extreme conditions while ensuring operational stability.



The latest fuel filter is used to improve filtering performance while ensuring optimum oil intake quality which improves the reliability of the engine in tough working conditions.

Hydraulic Excavator - XE 140 I

Overall dimensions (mm)



Main Technical Parameters

	Parameter	Unit	Value
Scope of work	A Maximum digging height	mm	8440
	B Maximum dumping height	mm	6011
	C Maximum digging depth	mm	5126
	D Maximum depth cut for 2240mm(8 ft) level bottom	mm	4965
	E Maximum vertical digging depth	mm	4609
	F Maximum digging radius	mm	7933
	G Minimum swing radius	mm	2342
Shape/ Dimensions	A Total length	mm	7780
	B Total width	mm	2512
	C Total height	mm	2820
	D Width of platform	mm	2450
	E Crawler length	mm	4777
	F Overall width of chassis	mm	2490
	G Track width	mm	500
	H Length to center of rollers	mm	2910
	I Track gauge	mm	1990
	J Counterweight clearance	mm	952
	K Minimum ground clearance	mm	466
	L Minimum tail swing radius	mm	2294
	Engine	Model of engine	
Direct injection			√
Four strokes			√
Water cooling			√
Turbocharging			√
Number of cylinders			4
Engine rated power		kw/rpm	75/2200
Max. torque/rotation speed		N.m/rpm	385/1300
Displacement		L	3.9
Fuel Capacity	Fuel tank capacity	L	250
	Hydraulic tank capacity	L	135
	Engine oil capacity	L	12
Main Performance	Travel speed (H/L)	km/h	6.0/3.5
	Gradeability	%	70
	Swing speed	r/min	14
	Ground pressure	kPa	45
	Bucket digging force	kN	91
	Arm digging force	kN	79
Hydraulic System	Main pump		HP3V75D
	Rated flow	L/min	2×150
	Main safety valve pressure	MPa	34.3/37
	Pressure of pilot system	MPa	3.9

SCHWING - STETTER ALWAYS CLOSE TO THE CUSTOMER.



-  Sales Office
-  Resident Engineer
-  Resident Engineer with Spares Depot
-  Service Centre with Spares Depot
-  Dealership Support
-  Customer Training Center

SCHWING STETTER (INDIA) PVT LTD

An ISO 9001 : 2015 Company

CORPORATE OFFICE : F 71 - 72, SIPCOT Industrial Park, Irungattukottai, Sriperumbudur Taluk, Kancheepuram District, Tamil Nadu - 602117.
Tel : 044 - 71378100 / 106
Email : chennai@schwingstetterindia.com

Mumbai : 620/621, Nirmal Lifestyle Corporate Centre, 6th floor, LBS Marg, Mulund (West), Mumbai 400080.
Tel : 022 25624863 / 64, 30718300, 71378100
Fax : 022 25624865 / 66
Email : mumbai@schwingstetterindia.com

New Delhi : 19, Okhla Industrial Estate, Phase III, New Delhi - 110 020.
Tel : 011 30928500 Fax : 011 30928530
Email : newdelhi@schwingstetterindia.com

Kolkata : Y6, Block EP, Sector V, Electronics Complex, Salt Lake City, Kolkata-700091. Tel: 033 40823300
Email : kolkata@schwingstetterindia.com

Hyderabad : No.8-2-268/1/C, Plot 2, Road 3, Arora Colony, Banjara Hills, Hyderabad-500034.
Tel: 040 33555588 / 47848601 Fax: 040 23731770
Email : hyderabad@schwingstetterindia.com

Mohali : D 91-PH-VII, Industrial Area, Mohali, Punjab - 160 055. Tel : 0172 3957500 / 3957501
Email : chandigarh@schwingstetterindia.com

Bengaluru : No 138-B, "UDAYAGIRI COMPLEX", 3rd Phase, KIADB Industrial area, Peenya, Bangalore - 560058.
Tel : 080 3355 5588 Fax : 080 3011 4301
Email : bangalore@schwingstetterindia.com

Visakhapatnam : Plot No.54, IDA - Block 'D', Expansion, Auto nagar, Visakhapatnam - 530 012.
Tel : 09100061783 Fax: 0891 2706063

Jammu : C/o. VRL Logistics Limited, Plot No. 19, Transport Nagar, Narwal, Jammu - 180006.
Tel : 099060 35941.

Ahmedabad : 103, Shivalik Arcade, 100 Ft., T.P Anand Nagar, Satellite Road, Ahmedabad 380 051.
Tel : 079 71378100
Email : ahmedabad@schwingstetterindia.com

Cochin : No.134 / 1404 B, Arakkakadavu Road, Anchumana, Edappally P.O. Cochin - 682 024.
Tel: 0484 - 3355558 / 4055544 Fax: 0484 4506165
Email : cochin@schwingstetterindia.com

Bhubaneswar : Plot No:182, Naharkanta, Rudrapur Beside Puri Main Canal, NH5, Bhubaneswar - 752101 Odisha. Tel : 09078884484 / 85

Pune : Baner Biz Bay, A Wing, 7th Floor, Office No. A-701 & 702, Baner Road, Near D-Mart, Pune - 411 045. Tel: 020-6718500
Email : pune@schwingstetterindia.com

Coimbatore : 2005, Trichy Road, Old Rajalaxmi Mills, Singanallur, Coimbatore-641005. Tel: 0422 3223660
Email : coimbatore@schwingstetterindia.com

Raipur : NH-6, Opposite Vardhaman Motor, Kumahari, Dist - Durg, Chhattisgarh - 490042.
Tel : 07821 247066
Email : sunil.kumar@schwingstetterindia.com

Patna : C/o. House of Ashok Kumar Rana, Ground & First Floor, Samridhi Bhawan, Agamkuan Road, Shivaji Colony, Pahari More, Patna - 800007, Bihar. Tel : 09570996702
Email : rajiv.chandra@schwingstetterindia.com

Surat : Shop No. 128, First Floor, Aagam Orchid, TP Scheme No 6, Opp. Shiv Kartik Complex, Off VIP Road, Nr. Shrunagar Building, Nr Nandini 2, Vesu, Surat-395007 Tel : 08980002726
Email : ahmedabad@schwingstetterindia.com

Guwahati : House No. 161, Jaya Nagar, Six Miles, Khanapara, Guwahati 781 022.
Tel: 0361 2234738 / 099575 66738

Goa : C/o Agarwal Packers and Movers Limited, Plot No X-1, Verna Industrial Estate, Verna, Goa - 403722. Tel: 09820203847
Email : sohit.chakhaiyar@schwingstetterindia.com

Nagpur : C/o Amrut Dairy Farm, No. 118, Opp VCA Stadium, Jamtha, 16th KM Milestone, NH-7, Wardha Road, Nagpur - 441108. Tel : 09820203847
Email : sohit.chakhaiyar@schwingstetterindia.com

Indore : Plot No.1074/9/1, A.B. Road (By-Pass), (Opp) Silicon Valley Housing Project, Rau-453331, Indore - 452010. M.P Tel : 08085966587
Email : ahmedabad@schwingstetterindia.com

Jaipur : F-551, Road No. 6, Lehar Choraha, Vishwakarma Industrial Area (VKI Area), Jaipur - 302 013, Rajasthan. Phone: 09672423444