

# SCHWING Concrete Pumps

SP 1015D / SP 1015HD / SP 1420D



# SCHWING Concrete Pumps

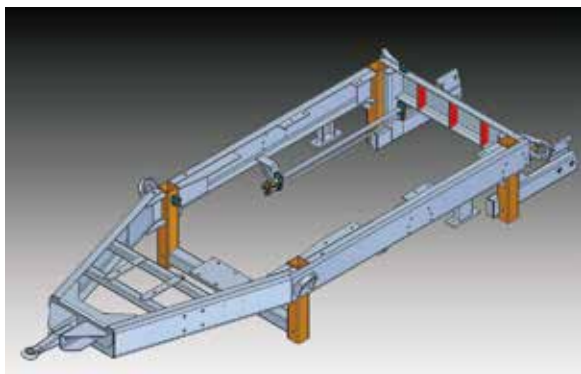
Introducing the SCHWING range of concrete pumps designed to meet the demands of various entry level concrete pumping jobs. These pumps are designed to maximise your productivity with lowest operating costs.

## RL Rock

Made after years of extensive study in the behaviour of tough concrete mixes, this valve is ideally suited for pumping harsh concrete and can withstand rugged site conditions as in India. This valve has been recognised worldwide as the toughest concrete valve. The optional hard-facing is also recommended.



RL Rock Valve



Specially designed rigid chassis

## Rigid Chassis

Strengthened Chassis with shock-resistant stabilisers to increase strength and stability.

## Portability

The conveniently placed towing hook and toughened frame and axle enable portability across rough terrain. The low weight of the pump allows it to quickly move it from one site to the other.



Integrated control block



10m remote comes as a standard

## Control

An easy to use remote with 10m cable comes as standard with the pump so your operators learn and start using it immediately. The famous SCHWING maintenance-free control system with its proven free flow hydraulics ensures optimum fuel consumption, low heat generation and helps your components last long to reduce your operating costs.

## Hydraulics

Direct high-torque driven on to the agitator shaft as well as robust design of all hydraulic components in conjunction with constant flow micro-filtering of the hydraulic oil ensure operational reliability and a long service life.



Gearbox drive for agitator

## Gear Box for Agitator Motor

By controlling the drive of the agitator motor through a gearbox, there is lesser damage on the agitator and lesser stress on the hydraulic components leading to increased life of the product.



## Easy Maintenance

The easy access to all the parts of the machine ensures that maintenance requires the minimum time for maintenance so your machine is up and running in no time at all.

## Pumping

The pump has two powerful differential and pumping cylinders. The prodigious combined capacity and performance of these cylinder systems ensures a high output. Our pumps are designed to offer you maximum output with minimum number of strokes to increase the life of the cylinders. Affordability, fuel efficiency, best in class productivity are some of the best features of Schwing pump.



SP1015





SP1420

## TECHNICAL DATA

Parameters	Unit	SP 1015 D / HD		SP 1420D	
Engine / Motor Capacity	kW	35 / 48.6		48.6	
Nominal speed	min <sup>-1</sup>	2300		2300	
Pumping Cylinder Ø x Stroke	mm	200 x 1000		200 x 1400	
Differential cylinder drive		Piston Side	Rod side	Piston Side	Rod side
Max. Strokes per min	No.s	20	NA/29	14	22
Max. theor. Concrete Output	m <sup>3</sup> /h	37	NA/56	38	58
Max. Concrete pressure	bar	85	NA/54	85	54
Capacity of Charging Hopper	litres	600		600	
Dead Weight incl. oil and Fuel	kg	3300/3400		3600	
Delivery line Ø up to	mm	150		150	

# SCHWING - STETTER ALWAYS CLOSE TO THE CUSTOMER.



-  Sales Office
-  Resident Engineer
-  Resident Engineer with Spares Depot
-  Service Centre with Spares Depot
-  Dealership Support
-  Customer Training Center

## SCHWING STETTER (INDIA) PVT LTD

An ISO 9001 : 2015 Company

**CORPORATE OFFICE** : F 71 - 72, SIPCOT Industrial Park, Irungattukottai, Sriperumbudur Taluk, Kancheepuram District, Tamil Nadu - 602117.  
Tel : 044 - 71378100 / 106 Fax : 044 27156539  
Email : chennai@schwingstetterindia.com

**Kolkata** : Y6, Block EP, Sector V, Electronics Complex, Salt Lake City, Kolkata-700091. Tel: 033 40823300  
Email : kolkata@schwingstetterindia.com

**Bengaluru** : No 138-B, "UDAYAGIRI COMPLEX", 3rd Phase, KIADB Industrial area, Peenya, Bangalore - 560058.  
Tel : 080 3355 5588 Fax : 080 3011 4301  
Email : bangalore@schwingstetterindia.com

**Ahmedabad** : 103, Shivalik Arcade, 100 Ft., T.P Anand Nagar, Satellite Road, Ahmedabad 380 051.  
Tel : 079 71378100 Fax : 079 4006 4084  
Email : ahmedabad@schwingstetterindia.com

**Pune** : Baner Biz Bay, A Wing, 7<sup>th</sup> Floor, Office No. A-701 & 702, Baner Road, Near D-Mart, Pune - 411 045.  
Email : pune@schwingstetterindia.com

**Patna** : C/o. House of Ashok Kumar Rana, Ground & First Floor, Samridhi Bhawan, Agarnkuan Road, Shivaji Colony, Pahari More, Patna - 800007, Bihar. Tel : 09570996702  
Email : rajiv.chandra@schwingstetterindia.com

**Goa** : C/o Agarwal Packers and Movers Limited, Plot No X-1, Verna Industrial Estate, Verna, Goa - 403722. Tel: 09820203847  
Email : sohit.chakhaiyar@schwingstetterindia.com

**Mumbai** : 620/621, Nirmal Lifestyle Corporate Centre, 6th floor, LBS Marg, Mulund (West), Mumbai 400080.  
Tel : 022 25624863 / 64, 30718300, 71378100  
Fax : 022 25624865 / 66  
Email : mumbai@schwingstetterindia.com

**Hyderabad** : No.8-2-268/1/C, Plot 2, Road 3, Arora Colony, Banjara Hills, Hyderabad-500034.  
Tel: 040 33555588 / 30948601 Fax: 040 23731770  
Email : hyderabad@schwingstetterindia.com

**Visakhapatnam** : Plot No.54, IDA - Block 'D', Expansion, Auto nagar, Visakhapatnam - 530 012.  
Tel : 09100061783 Fax: 0891 2706063

**Cochin** : No.134 / 1404 B, Arakkakadavu Road, Anchumana, Edappally P.O. Cochin - 682 024.  
Tel: 0484 - 3355558 / 4055544 Fax: 0484 4506165  
Email : cochin@schwingstetterindia.com

**Coimbatore** : 2005, Trichy Road, Old Rajalaxmi Mills, Singanallur, Coimbatore-641005. Tel: 0422 3223660  
Email : coimbatore@schwingstetterindia.com

**Surat** : Shop No. 128, First Floor, Aagam Orchid, TP Scheme No 6, Opp. Shiv Kartik Complex, Off VIP Road, Nr. Shrunagar Building, Nr Nandini 2, Vesu, Surat-395007 Tel : 08980002726  
Email : ahmedabad@schwingstetterindia.com

**Nagpur** : C/o Amrut Dairy Farm, No. 118, Opp VCA Stadium, Jamtha, 16th KM Milestone, NH-7, Wardha Road, Nagpur - 441108. Tel : 09820203847  
Email : sohit.chakhaiyar@schwingstetterindia.com

**New Delhi** : 19, Okhla Industrial Estate, Phase III, New Delhi - 110 020.  
Tel : 011 30928500 Fax : 011 30928530  
Email : newdelhi@schwingstetterindia.com

**Mohali** : D 91-PH-VII, Industrial Area, Mohali, Punjab - 160 055. Tel : 0172 3957500 / 3957501  
Email : chandigarh@schwingstetterindia.com

**Jammu** : C/o. VRL Logistics Limited, Plot No. 19, Transport Nagar, Narwal, Jammu - 180006.  
Tel : 099060 35941.

**Bhubaneswar** : Plot No:182, Naharkanta, Rudrapur, Beside Puri Main Canal, NH5, Bhubaneswar - 752101 Odisha. Tel : 9078884484 / 85

**Raipur** : NH-6, Opposite Vardhaman Motor, Kumahari, Dist - Durg, Chhattisgarh - 490042.  
Tel : 07821 247066  
Email : sunil.kumar@schwingstetterindia.com

**Guwahati** : House No. 161, Jaya Nagar, Six Miles, Khanapara, Guwahati 781 022.  
Tel: 0361 2234738 / 099575 66738

**Indore** : Plot No.1074/9/1, A.B. Road (By-Pass), (Opp) Silicon Valley Housing Project, Rau-453331, Indore - 452010. M.P Tel : 8085966587  
Email : ahmedabad@schwingstetterindia.com

**Jaipur** : F-551, Road No. 6, Lehar Choraha, Vishwakarma Industrial Area (VKI Area), Jaipur - 302 013, Rajasthan. Phone: 09672423444