

Schwing Line Pumps

LP 350 / SPI 1000 / SPL 1200 / SPL 1400VE / SPL 1800



LP 350 / SPL 1000 / SPL 1400 / SPL 1800 / SPL 1807

The SCHWING Line Pump is a compact truck mounted concrete pump for applications where concrete should be pumped through static pipelines. Designed for long horizontal and vertical pumping distances, this efficient pump unit meets the demands of a thoroughly rewarding niche market, i.e. in applications where the deployment time has been too short and the setup time too long for stationary concrete pumps or whereas standard truck mounted concrete pumps with placing booms are too large or too small.

Mobility is the crucial factor here, and is the one making this machine a valuable addition to any concrete pump fleet owned by a pump service enterprise. But more than that, it's favourable size makes the SCHWING Line Pump the ideal business launching model. The entrepreneur who has to think in economic terms when ordering his 'very first', but not at the expense of operation dependability and SCHWING quality, will find decision making simplified with the line pumps modular system. Just the basic pump unit mounted on a reasonably priced, medium sized carrier vehicle and driven by its engine provides a complete all round machine which gives value for money and yields profit. The concrete pump can be retrofitted and expanded at any time to meet individual customer requirements.

A wide range of equipment and accessories are available for this purpose, i.e. :-

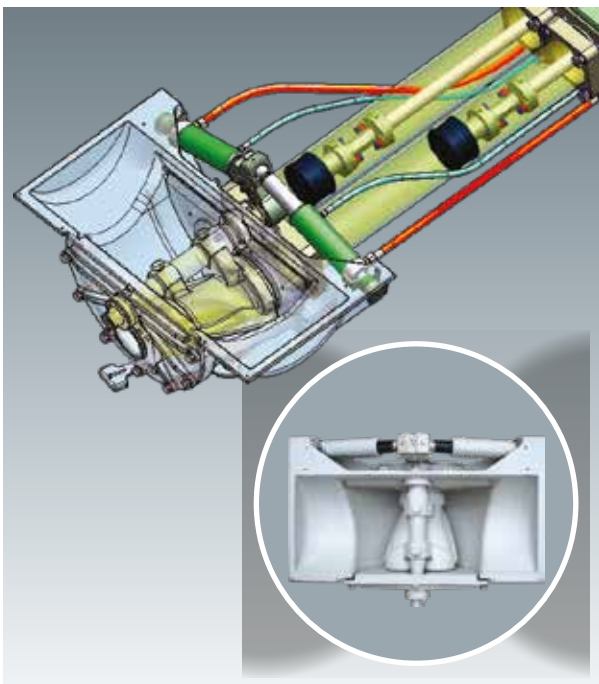
The Separate Engine

This makes the concrete pump independent of a motorized carrier vehicle and offers full capacity utilization even with second hand chassis.

The Valve Options

1. Rock valve and
2. Flat gate valve system.

Line Pump - Special Features



RL Rock Valve

RL Rock valve, engineered by SCHWING R&D after extensive studies of behavior of tough concrete in various developing countries. This rugged, reliable rock valve is highly suited for stiff, difficult mixes of concrete and ideal for use in combination with the long stroke pumping unit. An option that can be recommended is the hard facing layer for extremely long service life.

Flat Gate Valve

The two flat gate valves working independently have been especially developed for pumping concrete. Their working system with automatic adjustment permits trouble-free pumping even with badly worn parts.

Integrated Control Block

The hydraulic control system is integrated within the drive. The compact control block & minimal hydraulic lines makes the equipment reliable & durable.

Fast Switching Valve

Compact design individual switching circuit ensures quick operation of rock valve.





Maintenance

A central bank of grease ripples supplies grease to all the lube points on agitator and Rock Valve.



Remote Control

The Concrete pump comes complete with a 10 meter cable remote control as a standard feature.



Optional Pipe Rack

We recommend the selection of optional pipe rack. Using this setup, you can carry 100 meters of pipeline in the truck itself safely without damage.



Hydraulics

Direct high torque driven on to the agitator shaft as well as robust design of all hydraulic components in conjunction with constant flow and micro filtering of the hydraulic oil ensures operational reliability and a long service life.



Water Cleaning System






We also provide water cleaning system for cleaning pipelines and other accessories which will enhance the lifetime of the components.

TECHNICAL DATA

Description	Units	LP 350 D	LP 1000	LP 1200	LP 1400VE	LP 1800	LP 1807
Engine / Motor Capacity	kW	49	35	48.6	48.6	81	75
Pumping Cylinder x Stroke	mm	180 / 1200	180 x 1000	180 x 1200	180 x 1400	200 x 1600	180 x 1400
					Piston side	Rod side	
Max. Strokes per minute	No.s	25	24	24	12	24	21
Max. theor. Concrete Output	m ³ /h	46	36	45	34	51	64
Max. Concrete pressure	bar	60	65	70	99	63	108
Dead Weight incl. oil and Fuel	kg	3100	3560	3800	5000	4000	5500
Delivery line upto	mm	150	150	150	180	150	150
Capacity of charging Hopper	liter	600	600	600	600	400 / 600	600

SCHWING - STETTER ALWAYS CLOSE TO THE CUSTOMER.



-  Sales Office
-  Resident Engineer
-  Resident Engineer with Spares Depot
-  Service Centre with Spares Depot
-  Dealership Support
-  Customer Training Center

SCHWING STETTER (INDIA) PVT LTD

An ISO 9001 : 2015 Company

CORPORATE OFFICE : F 71 - 72, SIPCOT Industrial Park, Irungattukottai, Sriperumbudur Taluk, Kancheepuram District, Tamil Nadu - 602117.
Tel : 044 - 71378100 / 106 Fax : 044 27156539
Email : chennai@schwingstetterindia.com

Kolkata : Y6, Block EP, Sector V, Electronics Complex, Salt Lake City, Kolkata-700091. Tel: 033 40823300
Email : kolkata@schwingstetterindia.com

Bengaluru : No 138-B, "UDAYAGIRI COMPLEX", 3rd Phase, KIADB Industrial area, Peenya, Bangalore - 560058.
Tel : 080 3355 5588 Fax : 080 3011 4301
Email : bangalore@schwingstetterindia.com

Ahmedabad : 103, Shivalik Arcade, 100 Ft., T.P Anand Nagar, Satellite Road, Ahmedabad 380 051.
Tel : 079 71378100 Fax : 079 4006 4084
Email : ahmedabad@schwingstetterindia.com

Pune : Baner Biz Bay, A Wing, 7th Floor, Office No. A-701 & 702, Baner Road, Near D-Mart, Pune - 411 045.
Email : pune@schwingstetterindia.com

Patna : C/o. House of Ashok Kumar Rana, Ground & First Floor, Samridhi Bhawan, Agamkuan Road, Shivaji Colony, Pahari More, Patna - 800007, Bihar. Tel : 09570996702
Email : rajiv.chandra@schwingstetterindia.com

Goa : C/o Agarwal Packers and Movers Limited, Plot No X-1, Verna Industrial Estate, Verna, Goa - 403722. Tel: 09820203847
Email : sohit.chakhaiyar@schwingstetterindia.com

Mumbai : 620/621, Nirmal Lifestyle Corporate Centre, 6th floor, LBS Marg, Mulund (West), Mumbai 400080.
Tel : 022 25624863 / 64, 30718300, 71378100
Fax : 022 25624865 / 66
Email : mumbai@schwingstetterindia.com

Hyderabad : No.8-2-268/1/C, Plot 2, Road 3, Arora Colony, Banjara Hills, Hyderabad-500034.
Tel: 040 33555588 / 30948601 Fax: 040 23731770
Email : hyderabad@schwingstetterindia.com

Visakhapatnam : Plot No.54, IDA - Block 'D', Expansion, Auto nagar, Visakhapatnam - 530 012.
Tel : 09100061783 Fax: 0891 2706063

Cochin : No.134 / 1404 B, Arakkakadavu Road, Anchumana, Edappally P.O. Cochin - 682 024.
Tel: 0484 - 3355558 / 4055544 Fax: 0484 4506165
Email : cochin@schwingstetterindia.com

Coimbatore : 2005, Trichy Road, Old Rajalaxmi Mills, Singanallur, Coimbatore-641005. Tel: 0422 3223660
Email : coimbatore@schwingstetterindia.com

Surat : Shop No. 128, First Floor, Aagam Orchid, TP Scheme No 6, Opp. Shiv Kartik Complex, Off VIP Road, Nr. Shrunagar Building, Nr Nandini 2, Vesu, Surat-395007 Tel : 08980002726
Email : ahmedabad@schwingstetterindia.com

Nagpur : C/o Amrut Dairy Farm, No. 118, Opp VCA Stadium, Jamtha, 16th KM Milestone, NH-7, Wardha Road, Nagpur - 441108. Tel : 09820203847
Email : sohit.chakhaiyar@schwingstetterindia.com

New Delhi : 19, Okhla Industrial Estate, Phase III, New Delhi - 110 020.
Tel : 011 30928500 Fax : 011 30928530
Email : newdelhi@schwingstetterindia.com

Mohali : D 91-PH-VII, Industrial Area, Mohali, Punjab - 160 055. Tel : 0172 3957500 / 3957501
Email : chandigarh@schwingstetterindia.com

Jammu : C/o. VRL Logistics Limited, Plot No. 19, Transport Nagar, Narwal, Jammu - 180006.
Tel : 099060 35941.

Bhubaneswar : Plot No:182, Naharkanta, Rudrapur, Beside Puri Main Canal, NH5, Bhubaneshwar - 752101 Odisha. Tel : 9078884484 / 85

Raipur : NH-6, Opposite Vardhaman Motor, Kumahari, Dist - Durg, Chhattisgarh - 490042.
Tel : 07821 247066
Email : sunil.kumar@schwingstetterindia.com

Guwahati : House No. 161, Jaya Nagar, Six Miles, Khanapara, Guwahati 781 022.
Tel: 0361 2234738 / 099575 66738

Indore : Plot No.1074/9/1, A.B. Road (By-Pass), (Opp) Silicon Valley Housing Project, Rau-453331, Indore - 452010. M.P Tel : 8085966587
Email : ahmedabad@schwingstetterindia.com

Jaipur : F-551, Road No. 6, Lehar Choraha, Vishwakarma Industrial Area (VKI Area), Jaipur - 302 013, Rajasthan. Phone: 09672423444