

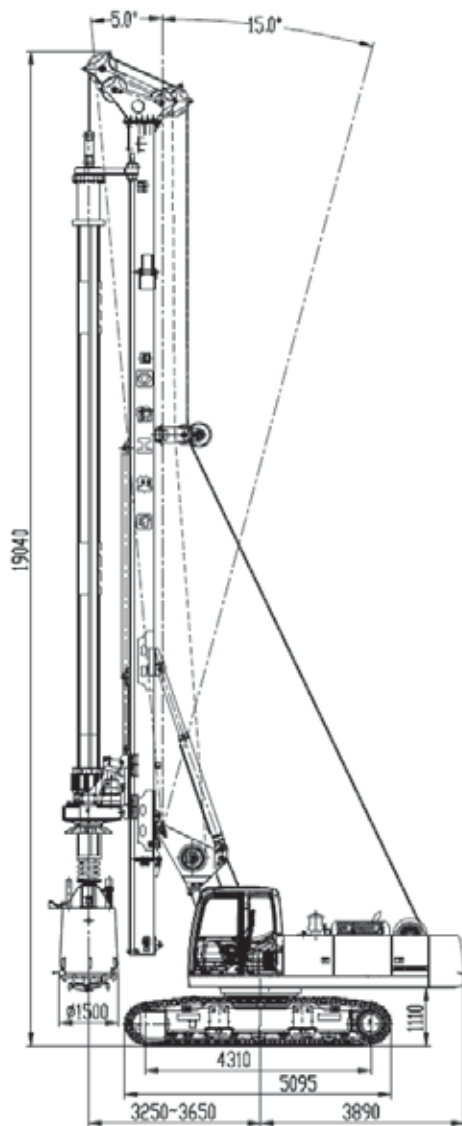
Rotary Drilling Rig

XR 150DIII

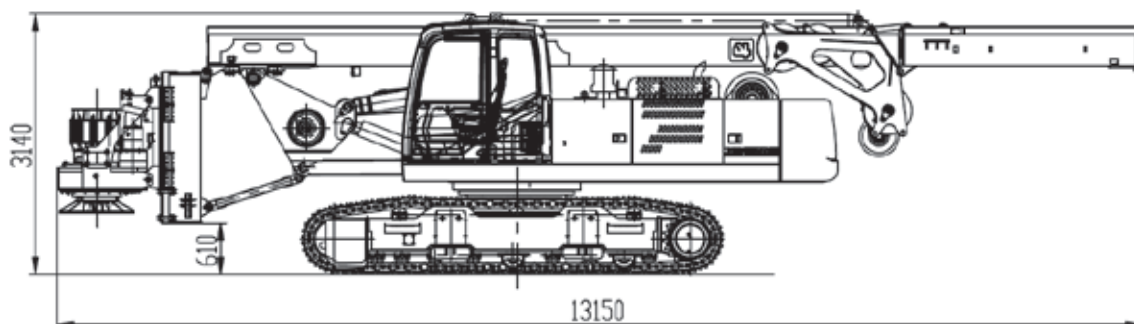


XR 150DIII Rotary Drilling Rig

Overall Dimensions*



Working



Transportation

XR 150DIII Performance Characteristics

XR 150DIII is powered by supercharged CUMMINS engine with European III emission norms, meets the environmental pollution and energy conservation norms.

The machine has single layer rope winding in main winch. This helps in increasing the rope life. XR 150DIII is equipped with the dedicated chassis of extraordinary stability. The chassis adopts a heavy-duty hydraulic retractable crawler to provide transport convenience and excellent traveling performance

The noise-proof operator cabin with FOPS function is equipped with adjustable chair, air conditioner, internal and external lights and windshield wiper (with water injection). It is easy for operation with help of the console of various instruments and operation handles. It is also provided with a color LCD display.

The patented parallelogram articulation structure actualizes a wider work range. The highly strengthened box-type steel structure design makes the mast highly rigid, therefore the drill accuracy is improved. Standard centralized lubrication system allows easier maintenance.

* All dimension are in mm

Rotary Drilling Rig - XR 150DIII

Main technical parameters

Parameters	Unit	Value
Engine		
Model		CUMMINS QSB7-C202
Rated Power	kW	150
Rotary Drive		
Max. output torque	kN-m	150
Rotary speed (standard mode)	r/min	7~33
Drilling Dimensions		
Max. Drilling Diameter	mm	Ø1500
Max. Drilling Depth (Friction / Interlocking Kelly Bar)	m	56/44
Crowd Cylinder		
Max. pull-down piston push	kN	120
Max. pull-down piston pull	kN	160
Max. pull-down piston stroke	mm	3500
Main Winch		
Max. pulling force	kN	160
Max. line speed	m/min	72
Rope Dia	mm	26
Auxillary Winch		
Max. pulling force	kN	50
Max. line speed	m/min	60
Rope Dia	mm	16
Mast Rake		
Side / forward/backwards	Deg	±3 / 5 / 15
Undercarriage		
Max. travelling speed	km/h	2.5
Grade ability	%	40
Ground clearance	mm	365
Track shoe width	mm	700
Distance between tracks	mm	2960 ~4200
Hydraulic system		
Working pressure	Mpa	35
Operating Weight		
Weight	Ton	49
Dimension		
Working condition	mm	7550 x 4200 x 19040
Transporation condition	mm	13150 x 2960 x 3140

SCHWING - STETTER ALWAYS CLOSE TO THE CUSTOMER.



-  Sales Office
-  Resident Engineer
-  Resident Engineer with Spares Depot
-  Service Centre with Spares Depot
-  Dealership Support
-  Customer Training Center

SCHWING STETTER (INDIA) PVT LTD

An ISO 9001 : 2015 Company

CORPORATE OFFICE : F 71 - 72, SIPCOT Industrial Park, Irungattukottai, Sriperumbudur Taluk, Kancheepuram District, Tamil Nadu - 602117.
Tel : 044 - 71378100 / 106 Fax : 044 27156539
Email : chennai@schwingstetterindia.com

Kolkata : Y6, Block EP, Sector V, Electronics Complex, Salt Lake City, Kolkata-700091. Tel: 033 40823300
Email : kolkata@schwingstetterindia.com

Bengaluru : No 138-B, "UDAYAGIRI COMPLEX", 3rd Phase, KIADB Industrial area, Peenya, Bangalore - 560058.
Tel : 080 3355 5588 Fax : 080 3011 4301
Email : bangalore@schwingstetterindia.com

Ahmedabad : 103, Shivalik Arcade, 100 Ft., T.P Anand Nagar, Satellite Road, Ahmedabad 380 051.
Tel : 079 71378100 Fax : 079 4006 4084
Email : ahmedabad@schwingstetterindia.com

Pune : Baner Biz Bay, A Wing, 7th Floor, Office No. A-701 & 702, Baner Road, Near D-Mart, Pune - 411 045.
Email : pune@schwingstetterindia.com

Patna : C/o. House of Ashok Kumar Rana, Ground & First Floor, Samridhi Bhawan, Agamkuan Road, Shivaji Colony, Pahari More, Patna - 800007, Bihar. Tel : 09570996702
Email : rajiv.chandra@schwingstetterindia.com

Goa : C/o Agarwal Packers and Movers Limited, Plot No X-1, Verna Industrial Estate, Verna, Goa - 403722. Tel: 09820203847
Email : sohit.chakhaiyar@schwingstetterindia.com

Mumbai : 620/621, Nirmal Lifestyle Corporate Centre, 6th floor, LBS Marg, Mulund (West), Mumbai 400080.
Tel : 022 25624863 / 64, 30718300, 71378100
Fax : 022 25624865 / 66
Email : mumbai@schwingstetterindia.com

Hyderabad : No.8-2-268/1/C, Plot 2, Road 3, Arora Colony, Banjara Hills, Hyderabad-500034.
Tel: 040 33555588 / 30948601 Fax: 040 23731770
Email : hyderabad@schwingstetterindia.com

Visakhapatnam : Plot No.54, IDA - Block 'D', Expansion, Auto nagar, Visakhapatnam - 530 012.
Tel : 09100061783 Fax: 0891 2706063

Cochin : No.134 / 1404 B, Arakkakadavu Road, Anchumana, Edappally P.O. Cochin - 682 024.
Tel: 0484 - 3355558 / 4055544 Fax: 0484 4506165
Email : cochin@schwingstetterindia.com

Coimbatore : 2005, Trichy Road, Old Rajalaxmi Mills, Singanallur, Coimbatore-641005. Tel: 0422 3223660
Email : coimbatore@schwingstetterindia.com

Surat : Shop No. 128, First Floor, Aagam Orchid, TP Scheme No 6, Opp. Shiv Kartik Complex, Off VIP Road, Nr. Shrunagar Building, Nr Nandini 2, Vesu, Surat-395007 Tel : 08980002726
Email : ahmedabad@schwingstetterindia.com

Nagpur : C/o Amrut Dairy Farm, No. 118, Opp VCA Stadium, Jamtha, 16th KM Milestone, NH-7, Wardha Road, Nagpur - 441108. Tel : 09820203847
Email : sohit.chakhaiyar@schwingstetterindia.com

New Delhi : 19, Okhla Industrial Estate, Phase III, New Delhi - 110 020.
Tel : 011 30928500 Fax : 011 30928530
Email : newdelhi@schwingstetterindia.com

Mohali : D 91-PH-VII, Industrial Area, Mohali, Punjab - 160 055. Tel : 0172 3957500 / 3957501
Email : chandigarh@schwingstetterindia.com

Jammu : C/o. VRL Logistics Limited, Plot No. 19, Transport Nagar, Narwal, Jammu - 180006.
Tel : 099060 35941.

Bhubaneswar : Plot No:182, Naharkanta, Rudrapur, Beside Puri Main Canal, NH5, Bhubaneswar - 752101 Odisha. Tel : 9078884484 / 85

Raipur : NH-6, Opposite Vardhaman Motor, Kumahari, Dist - Durg, Chhattisgarh - 490042.
Tel : 07821 247066
Email : sunil.kumar@schwingstetterindia.com

Guwahati : House No. 161, Jaya Nagar, Six Miles, Khanapara, Guwahati 781 022.
Tel: 0361 2234738 / 099575 66738

Indore : Plot No.1074/9/1, A.B. Road (By-Pass), (Opp) Silicon Valley Housing Project, Rau-453331, Indore - 452010. M.P Tel : 8085966587
Email : ahmedabad@schwingstetterindia.com

Jaipur : F-551, Road No. 6, Lehar Choraha, Vishwakarma Industrial Area (VKI Area), Jaipur - 302 013, Rajasthan. Phone: 09672423444