

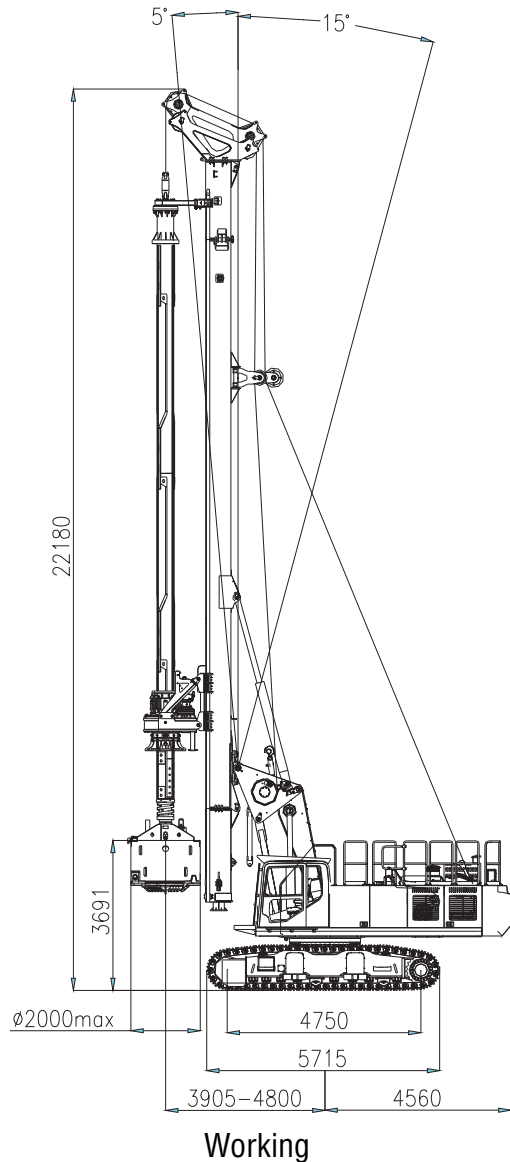
Rotary Drilling Rig

XR220D/XR220DII



XR220D/XR220DII Rotary Drilling Rig

Overall Dimensions*

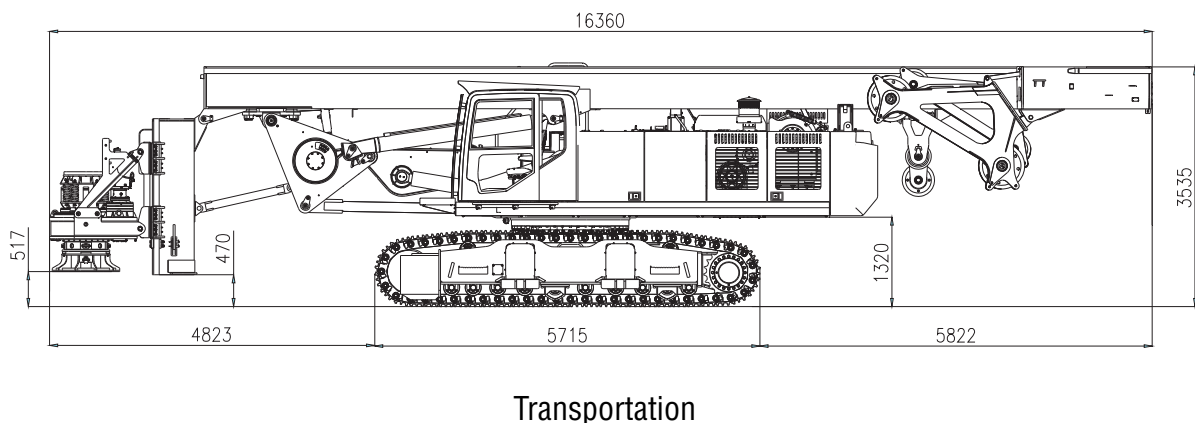


XR220D / XR220DII Performance Characteristics

XR220D/XR220DII has single layer rope winding in main winch. This helps in increasing the rope life. Infrared camera available for observing the main winch, manipulator can observe the state of steep rope at day and night inside the cab. Optional configuration according to customers' requirement (Eg., support cylinder, automatic positioning of slewing, crowd wick with CFA, hydraulic casing oscillator, DTH hammer) are available and has good compatibility with the standard machine.

XR220D / XR220DII is powered by supercharged CUMMINS engine with European III emission norms, meets the environmental pollution and energy conservation norms.

The patented parallelogram articulation structure actualizes a wider work range. The highly strengthened box-type steel structure design makes the mast highly rigid, therefore the drill accuracy is improved. Standard centralized lubrication system allows easier maintenance. The machine has passed CE certification of TÜV Rheinland group.



* All dimension are in mm

Rotary Drilling Rig - XR220D / XR220DII


Main technical parameters

Parameters	Unit	Value
Engine		
Model		CUMMINS QSL-325
Rated Power	kW	242
Rotary Drive		
Max. output torque	kN-m	220
Rotary speed (standard mode)	r/min	7 - 25
Drilling Dimensions		
Max. Drilling Diameter	mm	Ø2000
Max. Drilling Depth (Friction / Interlocking Kelly Bar)	m	67/52
Crowd Cylinder		
Max. pull-down piston push	kN	200
Max. pull-down piston pull	kN	200
Max. pull-down piston stroke	m	5
Crowd Winch		
Max. pull-down piston push	kN	250*
Max. pull-down piston pull	kN	250*
Max. pull-down piston stroke	m	15*
Main Winch		
Max. pulling force	kN	230
Max. line speed	m/min	70
Auxillary Winch		
Max. pulling force	kN	80
Max. line speed	m/min	60
Mast Rake		
Side / forward/backwards	Deg	±4 / 5 / 15
Undercarriage		
Max. travelling speed	km/h	1.5
Grade ability	%	35
Ground clearance	mm	445
Track shoe width	mm	800
Distance between tracks	mm	3250 - 4400
Hydraulic system working pressure	MPa	35
Operating Weight		
Weight	Ton	72/74*
Dimension		
Working condition	mm	8968 x 4400 x 22180
		8968 x 4400 x 22688*
Transportation condition	mm	16360 x 3250 x 3535
		16785 x 3250 x 4305*

Note : Parameter with "*" are technical parameters of XR220DII

SCHWING - STETTER ALWAYS CLOSE TO THE CUSTOMER.



-  Sales Office
-  Resident Engineer
-  Resident Engineer with Spares Depot
-  Service Centre with Spares Depot
-  Dealership Support
-  Customer Training Center

SCHWING STETTER (INDIA) PVT LTD

An ISO 9001 : 2015 Company

CORPORATE OFFICE : F 71 - 72, SIPCOT Industrial Park, Irungattukottai, Sriperumbudur Taluk, Kancheepuram District, Tamil Nadu - 602117.
Tel : 044 - 71378100 / 106 Fax : 044 27156539
Email : chennai@schwingstetterindia.com

Kolkata : Y6, Block EP, Sector V, Electronics Complex, Salt Lake City, Kolkata-700091. Tel: 033 40823300
Email : kolkata@schwingstetterindia.com

Bengaluru : No 138-B, "UDAYAGIRI COMPLEX", 3rd Phase, KIADB Industrial area, Peenya, Bangalore - 560058.
Tel : 080 3355 5588 Fax : 080 3011 4301
Email : bangalore@schwingstetterindia.com

Ahmedabad : 103, Shivalik Arcade, 100 Ft., T.P Anand Nagar, Satellite Road, Ahmedabad 380 051.
Tel : 079 71378100 Fax : 079 4006 4084
Email : ahmedabad@schwingstetterindia.com

Pune : Baner Biz Bay, A Wing, 7th Floor, Office No. A-701 & 702, Baner Road, Near D-Mart, Pune - 411 045.
Email : pune@schwingstetterindia.com

Patna : C/o. House of Ashok Kumar Rana, Ground & First Floor, Samridhi Bhawan, Agarnkuan Road, Shivaji Colony, Pahari More, Patna - 800007, Bihar. Tel : 09570996702
Email : rajiv.chandra@schwingstetterindia.com

Goa : C/o Agarwal Packers and Movers Limited, Plot No X-1, Verna Industrial Estate, Verna, Goa - 403722. Tel: 09820203847
Email : sohit.chakhaiyar@schwingstetterindia.com

Mumbai : 620/621, Nirmal Lifestyle Corporate Centre, 6th floor, LBS Marg, Mulund (West), Mumbai 400080.
Tel : 022 25624863 / 64, 30718300, 71378100
Fax : 022 25624865 / 66
Email : mumbai@schwingstetterindia.com

Hyderabad : No.8-2-268/1/C, Plot 2, Road 3, Arora Colony, Banjara Hills, Hyderabad-500034.
Tel: 040 33555588 / 30948601 Fax: 040 23731770
Email : hyderabad@schwingstetterindia.com

Visakhapatnam : Plot No.54, IDA - Block 'D', Expansion, Auto nagar, Visakhapatnam - 530 012.
Tel : 09100061783 Fax: 0891 2706063

Cochin : No.134 / 1404 B, Arakkakadavu Road, Anchumana, Edappally P.O. Cochin - 682 024.
Tel: 0484 - 3355558 / 4055544 Fax: 0484 4506165
Email : cochin@schwingstetterindia.com

Coimbatore : 2005, Trichy Road, Old Rajalaxmi Mills, Singanallur, Coimbatore-641005. Tel: 0422 3223660
Email : coimbatore@schwingstetterindia.com

Surat : Shop No. 128, First Floor, Aagam Orchid, TP Scheme No 6, Opp. Shiv Kartik Complex, Off VIP Road, Nr. Shrungrar Building, Nr Nandini 2, Vesu, Surat-395007 Tel : 08980002726
Email : ahmedabad@schwingstetterindia.com

Nagpur : C/o Amrut Dairy Farm, No. 118, Opp VCA Stadium, Jamtha, 16th KM Milestone, NH-7, Wardha Road, Nagpur - 441108. Tel : 09820203847
Email : sohit.chakhaiyar@schwingstetterindia.com

New Delhi : 19, Okhla Industrial Estate, Phase III, New Delhi - 110 020.
Tel : 011 30928500 Fax : 011 30928530
Email : newdelhi@schwingstetterindia.com

Mohali : D 91-PH-VII, Industrial Area, Mohali, Punjab - 160 055. Tel : 0172 3957500 / 3957501
Email : chandigarh@schwingstetterindia.com

Jammu : C/o. VRL Logistics Limited, Plot No. 19, Transport Nagar, Narwal, Jammu - 180006.
Tel : 099060 35941.

Bhubaneswar : Plot No:182, Naharkanta, Rudrapur, Beside Puri Main Canal, NH5, Bhubaneswar - 752101 Odisha. Tel : 9078884484 / 85

Raipur : NH-6, Opposite Vardhaman Motor, Kumahari, Dist - Durg, Chhattisgarh - 490042.
Tel : 07821 247066
Email : sunil.kumar@schwingstetterindia.com

Guwahati : House No. 161, Jaya Nagar, Six Miles, Khanapara, Guwahati 781 022.
Tel: 0361 2234738 / 099575 66738

Indore : Plot No.1074/9/1, A.B. Road (By-Pass), (Opp) Silicon Valley Housing Project, Rau-453331, Indore - 452010. M.P Tel : 8085966587
Email : ahmedabad@schwingstetterindia.com

Jaipur : F-551, Road No. 6, Lehar Choraha, Vishwakarma Industrial Area (VKI Area), Jaipur - 302 013, Rajasthan. Phone: 09672423444