



16 ton Tower Crane working at United Insurance Building Project in Chennai for PSK Construction.

SCHWING - STETTER
ALWAYS CLOSE
TO THE CUSTOMER.

- Sales Office
- Resident Engineer
- Resident Engineer with Spares Depot
- Service Centre with Spares Depot
- Dealership Support
- Customer Training Center



SCHWING STETTER (INDIA) PVT LTD
 An ISO 9001 : 2015 Company

CORPORATE OFFICE : F 71 - 72, SIPCOT Industrial Park, Irungattukottai, Sriperumbudur Taluk, Kancheepuram District, Tamil Nadu - 602117.
 Tel : 044 - 71378100 / 106 Fax : 044 27156539
 Email : chennai@schwingstetterindia.com

Mumbai : 620/621, Nirmal Lifestyle Corporate Centre, 6th floor, LBS Marg, Mulund (West), Mumbai 400080.
 Tel : 022 25624863 / 64, 30718300, 71378100
 Fax : 022 25624865 / 66
 Email : mumbai@schwingstetterindia.com

New Delhi : 19, Okhla Industrial Estate, Phase III, New Delhi - 110 020.
 Tel : 011 30928500 Fax : 011 30928530
 Email : newdelhi@schwingstetterindia.com

Kolkata : Y6, Block EP, Sector V, Electronics Complex, Salt Lake City, Kolkata-700091. Tel: 033 40823300
 Email : kolkata@schwingstetterindia.com

Hyderabad : No.8-2-268/1/C, Plot 2, Road 3, Arora Colony, Banjara Hills, Hyderabad-500034.
 Tel: 040 33555588 / 30948601 Fax: 040 23731770
 Email : hyderabad@schwingstetterindia.com

Mohali : D 91-PH-VII, Industrial Area, Mohali, Punjab - 160 055. Tel : 0172 3957500 / 3957501
 Email : chandigarh@schwingstetterindia.com

Bengaluru : No 138-B, "UDAYAGIRI COMPLEX", 3rd Phase, KIADB Industrial area, Peenya, Bangalore - 560058.
 Tel : 080 3355 5588 Fax : 080 3011 4301
 Email : bangalore@schwingstetterindia.com

Visakhapatnam : Plot No.54, IDA - Block 'D', Expansion, Auto nagar, Visakhapatnam - 530 012.
 Tel : 09100061783 Fax: 0891 2706063

Jammu : C/o. VRL Logistics Limited, Plot No. 19, Transport Nagar, Narwal, Jammu - 180006.
 Tel : 099060 35941.

Ahmedabad : 103, Shivalik Arcade, 100 Ft., T.P Anand Nagar, Satellite Road, Ahmedabad 380 051.
 Tel : 079 71378100 Fax : 079 4006 4084
 Email : ahmedabad@schwingstetterindia.com

Cochin : No.134 / 1404 B, Arakkakadavu Road, Anchumana, Edappally P.O. Cochin - 682 024.
 Tel: 0484 - 3355558 / 4055544 Fax: 0484 4506165
 Email : cochin@schwingstetterindia.com

Bhubaneswar : Plot No:182, Naharkanta, Rudrapur, Beside Puri Main Canal, NH5, Bhubaneswar - 752101 Odisha. Tel : 9078884484 / 85

Pune : Baner Biz Bay, A Wing, 7th Floor, Office No. A-701 & 702, Baner Road, Near D-Mart, Pune - 411 045.
 Email : pune@schwingstetterindia.com

Coimbatore : 2005 Trichy Road, Old Rajalaxmi Mills, Singanallur, Coimbatore-641005. Tel: 0422 3223660
 Email : coimbatore@schwingstetterindia.com

Raipur : NH-6, Opposite Vardhaman Motor, Kumhari, Dist - Durg, Chhattisgarh - 490042.
 Tel : 07821 247066
 Email : sunil.kumar@schwingstetterindia.com

Patna : C/o. House of Ashok Kumar Rana, Ground & First Floor, Samridhi Bhawan, Agamkuan Road, Shivaji Colony, Pahari More, Patna - 800007, Bihar. Tel : 09570996702
 Email : rajiv.chandra@schwingstetterindia.com

Surat : Shop No. 128, First Floor, Aagam Orchid, TP Scheme No 6, Opp. Shiv Kartik Complex, Off VIP Road, Nr. Shrungar Building, Nr Nandini 2, Vesu, Surat-395007 Tel : 08980002726
 Email : ahmedabad@schwingstetterindia.com

Guwahati : House No. 161, Jaya Nagar, Six Miles, Khanapara, Guwahati 781 022.
 Tel: 0361 2234738 / 099575 66738

Goa : C/o Agarwal Packers and Movers Limited, Plot No X-1, Verna Industrial Estate, Verna, Goa - 403722. Tel: 09820203847
 Email : sohit.chakhaiyar@schwingstetterindia.com

Nagpur : C/o Amrut Dairy Farm, No. 118, Opp VCA Stadium, Jamtha, 16th KM Milestone, NH-7, Wardha Road, Nagpur - 441108. Tel : 09820203847
 Email : sohit.chakhaiyar@schwingstetterindia.com

Jaipur : F-551, Road No. 6, Lehar Choraha, Vishwakarma Industrial Area (VKI Area), Jaipur - 302 013, Rajasthan. Phone: 09672423444



Tower Crane
XT335(8020-16)



The Data given in this brochure are subject to change without notice.

SSI/CATACMG/TC/XT335(8020-16)/1/2018

Tower Crane

SCHWING Stetter India with its expertise in concreting the world for last 85 years has joined its hand with World renowned construction equipment manufacturer XCMG for introducing advanced construction equipment in India. SCHWING - XCMG introduces range of Tower Cranes which withstand the extreme conditions in construction sites. These highly adaptable fast-erecting Tower Cranes are designed with several features to handle high-rise projects. The tower cranes made by SCHWING - XCMG comes in various capacities and types ranging from 5t, 6t, 10t and 16t. With free standing height of 55.5 meters, the tower crane can withstand upto 2 ton tip load at a minimum radius of 3 meters.



Special Feature



Safe Load Indicator

Its design makes it extremely suitable for harsh working environment as well as in less demanding situations. Main features are listed below:

- High accuracy, reliability and linearity.
- Over hoisting protection.
- Load, angle, jib length, are displayed in the operators cabin.

Wire rope deployment, hook travel, wind speed and even the crane tilt can be viewed by the operator.



Slewing Mechanism with Manual brake

Manual braking function is also available to apply the brake during the power off condition.

3nos slewing mechanism have been introduced for smooth slewing operation.



Working Platform For Jacking Operation

Working platform provided to ensure the operator safety while jacking the cylinder.



Jib Connection

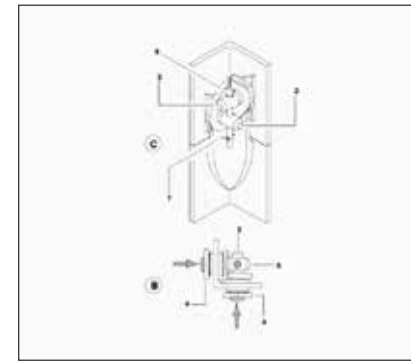
Pin connection for faster and convenient jib installation.



VFD Control systems

All VFD Control systems used are from Schneider.

Tower Crane - XT335(8020-16)



Fish Plate

Fish plate welded on the mast for pin connection helps to interchange the mast with other angle masts.



Front releasing rope mechanism

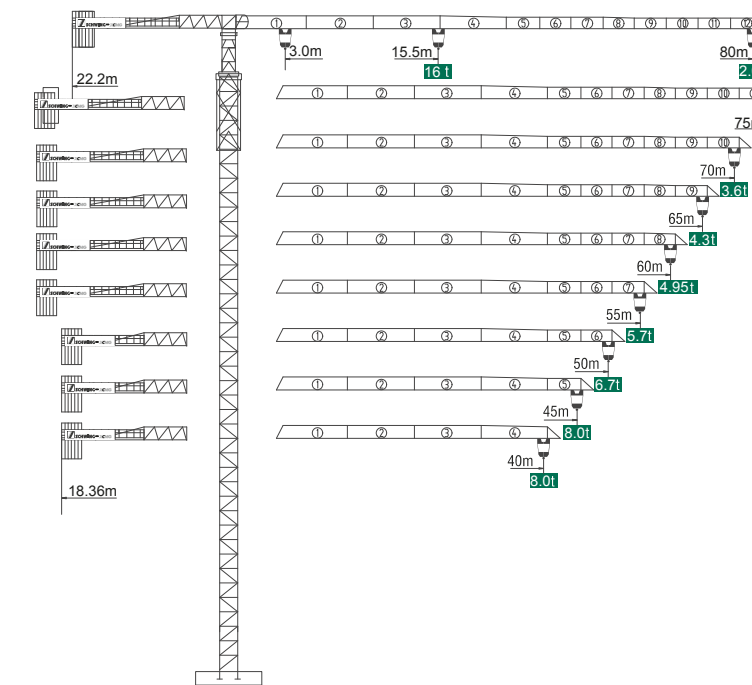
Front releasing rope hoisting mechanism with bolt connection helps to reduce the phenomenon of rope chaos.



Nylon Pulley

Nylon pulley on hook is provided for safety.

Dimensions



Status

XT335(8020-16)

H ↓

14 55.5

13 52.5

12 49.5

11 46.5

10 43.5

9 40.5

8 37.5

7 34.5

6 31.5

5 28.5

4 25.5

3 22.5

2 19.5

1 16.5

0.15m

4 13.5

3 10.5

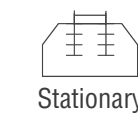
2 7.5

1 4.5

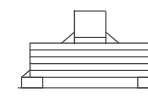
- In Service
- Out of service

⚠ Without load and ballast with longest jib and maximum height

Mounting Possibilities

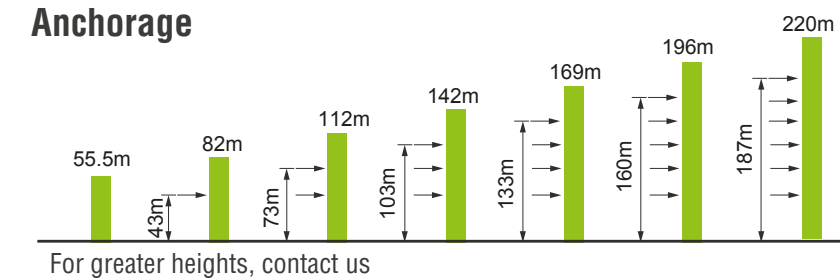


Stationary



Under frame loading

Anchorage



Tower Crane - XT335(8020-16)

Load Diagrams

Jib (m)	R _{min}	R(C _{max})	C _{max}	(m) Range										
				20	30	40	45	50	55	60	65	70	75	80
80m	3.0	29.0	8.0t	8000	7710	5426	4664	4055	3557	3142	2790	2489	2228	2000
	3.0	15.5	16t	12085	7517	5233	4471	3862	3364	2948	2597	2296	2035	1806
75m	3.0	35.2	8.0t	8000		6872	5950	5213	4609	4106	3680	3316	3000	
	3.0	18.8	16t	14978	9446	6679	5757	5019	4416	3913	3487	3122	2806	
70m	3.0	37.3	8.0t	8000		7369	6392	5610	4970	4437	3986	3600		
	3.0	19.9	16t	15972	10108	7176	6199	5417	4777	4244	3793	3406		
65m	3.0	39.4	8.0t	8000		7878	6844	6017	5341	4777	4300			
	3.0	21.1	16t	16000	10787	7685	6651	5824	5147	4583	4106			
60m	3.0	40.5	8.0t	8000		8000	7075	6225	5529	4950				
	3.0	21.7	16t	16000	11133	7944	6882	6032	5336	4756				
55m	3.0	41.5	8.0t	8000		7283	6412	5700						
	3.0	22.2	16t	16000	11445	8179	7090	6219	5506					
50m	3.0	43.0	8.0t	8000		7602	6700							
	3.0	23.0	16t	16000	11924	8538	7409	6506						
45m	3.0	45.0	8.0t	8000		8000								
	3.0	24.0	16t	16000	12519	8985	7806							
40m	3.0	40.0	8.0t	8000										
	3.0	24.8	16t	16000	12948	9306								

Ballast

Counter-jib ballast		4900 - 3900 - 2450			
		(kg)	PZ4900	PZ3900	PZ2450
80m	22.2m	24950	3	2	1
75m	22.2m	24950	3	2	1
70m	22.2m	24950	3	2	1
65m	22.2m	23500	4	1	0
60m	22.2m	22500	3	2	0
55m	22.2m	21050	3	1	1
50m	18.36m	27400	4	2	0
45m	18.36m	24950	4	1	1
40m	18.36m	23500	4	1	0

Mechanism

Mechanisms	Example	Model	Speed (m/min)	Hoist Weight (t)	Rope Capacity (m)	Power
Hoisting	▲	65JLF40F	0-80	2.8	650	65kW
			0-56	5.6		
			0-40	8		
			0-40	5.6		
			0-28	11.2		
0-20	16					
Trolleying	◀▶	7.5JXF8	0 - 65 m/min			7.5kW
Slewing	⦿	JH12CT	0 - 0.65 r/min			3 x 7.5kW
Main Supply					~380V (±10%) 50Hz	
Gross Power (excluding top-lifting)					95kW	

*For more optional mechanisms, Contact us.