

# Cold Milling Machine

XM1003



# Cold Milling Machine

XM1003 series milling machine is designed according to the market and user demand. It is fully hydraulic with four wheel drive. The product is especially suitable for the maintenance and construction of city road and grade one or two highway. With four wheel drive, small size, large milling depth, economic makes it ideal for the rural, state and national highways.



## Special Feature



The four round of the whole automatic has a significant increase in the braking effect of the whole machine, to ensure safety.



Large steering ensures small turning radius and flexible steering



The scientific layout of the operating table shows that the operation is simple, easy to use and easy to have a good visual field of work

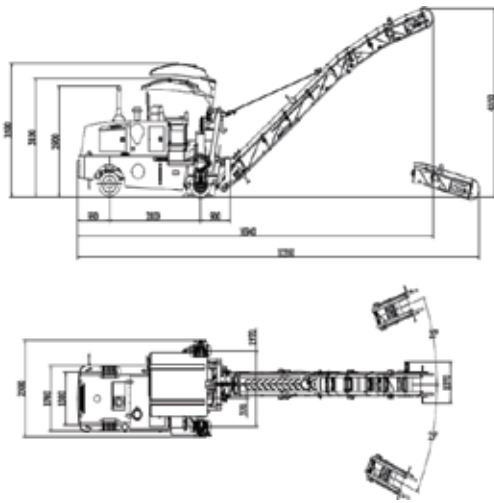


Large steering ensures small turning radius and flexible steering

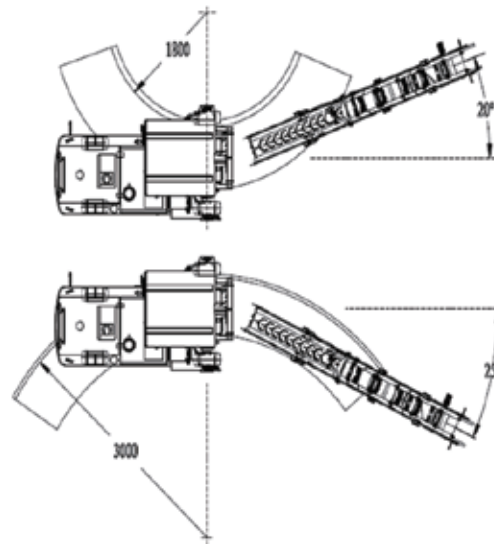


The right leg rotation way, meet the narrow welt milling construction requirements

## XM1003 Dimensions



XM1003 cold milling machine size





XM1003 drum turning size

## Technical Specification

	Parameters	Unit	XM1003
Milling Drum	Milling Width	mm	1000
	Milling Depth	mm	180
	Tool Spacing	mm	18
	Number of tools		82
	Drum diameter with tools	mm	700
Engine	Make		Shanghai Diesel Engine
	Model		SC9DK220G3
	Cooling type		Water cooling
	No of cylinders		6
	Rated power at 2200 rpm	kW	162
	Displacement	L	8.8
	Fuel consumption at rated power	L	36.7
	Fuel consumption in field mix	L	12.3
	Emission		Euro III
	Electrical System	V	24
Filling Capacities	Fuel Tank	L	350
	Hydraulic Oil Tank	L	130
	Water Tank	L	800
Travel parameters	Max.working speed	m/min	45
	Max.travel speed	km/h	8
	Gradeability	%	50
	Ground Clearance	mm	180
Tyres	Type		Solid Rubber
	Tyre Size, Front & Rear (Diameter x Width)	mm	645×300
Loading the milled material	Belt Width	mm	400
	Theoretical conveyor capacity	m <sup>3</sup> /h	84
Machine Dimensions	Dimensions of main machine (LxWxH)	mm	4690×2500×3500
	Dimensions of main machine (support wheels folded in) (LxWxH)	mm	4690×1950×3500
	Dimensions of conveyor (LxWxH)	mm	8050×1070×980
Operating weights	Operating Weight	kg	15600
	Front axle load based on operating weight	kg	6700
	Rear axle load based on operating weight	kg	8900

# SCHWING - STETTER ALWAYS CLOSE TO THE CUSTOMER.



-  Sales Office
-  Resident Engineer
-  Resident Engineer with Spares Depot
-  Service Centre with Spares Depot
-  Dealership Support
-  Customer Training Center

## SCHWING STETTER (INDIA) PVT LTD

An ISO 9001 : 2015 Company

**CORPORATE OFFICE** : F 71 - 72, SIPCOT Industrial Park, Irungattukottai, Sriperumbudur Taluk, Kancheepuram District, Tamil Nadu - 602117.  
Tel : 044 - 71378100 / 106 Fax : 044 27156539  
Email : chennai@schwingstetterindia.com

**Kolkata** : Y6, Block EP, Sector V, Electronics Complex, Salt Lake City, Kolkata-700091. Tel: 033 40823300  
Email : kolkata@schwingstetterindia.com

**Bengaluru** : No 138-B, "UDAYAGIRI COMPLEX", 3rd Phase, KIADB Industrial area, Peenya, Bangalore - 560058.  
Tel : 080 3355 5588 Fax : 080 3011 4301  
Email : bangalore@schwingstetterindia.com

**Ahmedabad** : 103, Shivalik Arcade, 100 Ft., T.P Anand Nagar, Satellite Road, Ahmedabad 380 051.  
Tel : 079 71378100 Fax : 079 4006 4084  
Email : ahmedabad@schwingstetterindia.com

**Pune** : Baner Biz Bay, A Wing, 7<sup>th</sup> Floor, Office No. A-701 & 702, Baner Road, Near D-Mart, Pune - 411 045.  
Email : pune@schwingstetterindia.com

**Patna** : C/o. House of Ashok Kumar Rana, Ground & First Floor, Samridhi Bhawan, Agarnkuan Road, Shivaji Colony, Pahari More, Patna - 800007, Bihar. Tel : 09570996702  
Email : rajiv.chandra@schwingstetterindia.com

**Goa** : C/o Agarwal Packers and Movers Limited, Plot No X-1, Verna Industrial Estate, Verna, Goa - 403722. Tel: 09820203847  
Email : sohit.chakhaiyar@schwingstetterindia.com

**Mumbai** : 620/621, Nirmal Lifestyle Corporate Centre, 6th floor, LBS Marg, Mulund (West), Mumbai 400080.  
Tel : 022 25624863 / 64, 30718300, 71378100  
Fax : 022 25624865 / 66  
Email : mumbai@schwingstetterindia.com

**Hyderabad** : No.8-2-268/1/C, Plot 2, Road 3, Arora Colony, Banjara Hills, Hyderabad-500034.  
Tel: 040 33555588 / 30948601 Fax: 040 23731770  
Email : hyderabad@schwingstetterindia.com

**Visakhapatnam** : Plot No.54, IDA - Block 'D', Expansion, Auto nagar, Visakhapatnam - 530 012.  
Tel : 09100061783 Fax: 0891 2706063

**Cochin** : No.134 / 1404 B, Arakkakadavu Road, Anchumana, Edappally P.O. Cochin - 682 024.  
Tel: 0484 - 3355558 / 4055544 Fax: 0484 4506165  
Email : cochin@schwingstetterindia.com

**Coimbatore** : 2005, Trichy Road, Old Rajalaxmi Mills, Singanallur, Coimbatore-641005. Tel: 0422 3223660  
Email : coimbatore@schwingstetterindia.com

**Surat** : Shop No. 128, First Floor, Aagam Orchid, TP Scheme No 6, Opp. Shiv Kartik Complex, Off VIP Road, Nr. Shrunagar Building, Nr Nandini 2, Vesu, Surat-395007 Tel : 08980002726  
Email : ahmedabad@schwingstetterindia.com

**Nagpur** : C/o Amrut Dairy Farm, No. 118, Opp VCA Stadium, Jamtha, 16th KM Milestone, NH-7, Wardha Road, Nagpur - 441108. Tel : 09820203847  
Email : sohit.chakhaiyar@schwingstetterindia.com

**New Delhi** : 19, Okhla Industrial Estate, Phase III, New Delhi - 110 020.  
Tel : 011 30928500 Fax : 011 30928530  
Email : newdelhi@schwingstetterindia.com

**Mohali** : D 91-PH-VII, Industrial Area, Mohali, Punjab - 160 055. Tel : 0172 3957500 / 3957501  
Email : chandigarh@schwingstetterindia.com

**Jammu** : C/o. VRL Logistics Limited, Plot No. 19, Transport Nagar, Narwal, Jammu - 180006.  
Tel : 099060 35941.

**Bhubaneswar** : Plot No:182, Naharkanta, Rudrapur, Beside Puri Main Canal, NH5, Bhubaneswar - 752101 Odisha. Tel : 9078884484 / 85

**Raipur** : NH-6, Opposite Vardhaman Motor, Kumahari, Dist - Durg, Chhattisgarh - 490042.  
Tel : 07821 247066  
Email : sunil.kumar@schwingstetterindia.com

**Guwahati** : House No. 161, Jaya Nagar, Six Miles, Khanapara, Guwahati 781 022.  
Tel: 0361 2234738 / 099575 66738

**Indore** : Plot No.1074/9/1, A.B. Road (By-Pass), (Opp) Silicon Valley Housing Project, Rau-453331, Indore - 452010. M.P Tel : 8085966587  
Email : ahmedabad@schwingstetterindia.com

**Jaipur** : F-551, Road No. 6, Lehar Choraha, Vishwakarma Industrial Area (VKI Area), Jaipur - 302 013, Rajasthan. Phone: 09672423444