

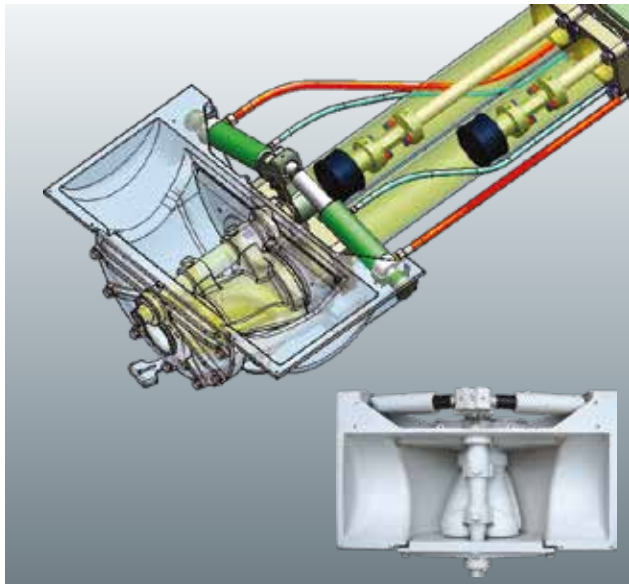
SCHWING Concrete Pump

SP 2509 / SP 2800



SCHWING Concrete Pumps

SCHWING portable concrete pumps are successfully deployed worldwide wherever vast quantities of concrete have to be pumped over exceptionally long horizontal and vertical distances. In building and civil engineering projects, they are fast, reliable and economically efficient in handling pumpable concretes under extreme conditions with regards to concrete designs, job sites and climate.



Compact class, High performance & High fuel efficiency



The Rock Valve

RL-Rock valve, is a new generation Rock valve, Engineered by SCHWING R&D after extensive studies of behavior of tough concrete in various developing countries.

This rugged, reliable rock valve is highly suited for stiff, difficult mixes of concrete and ideal for use in combination with the long stroke pumping unit. An option that can be recommended is the hard facing layer for extremely long service life.



Integrated Control Block

The hydraulic control system is integrated within the drive. The compact control block & minimal hydraulic lines makes the equipment Reliable & durable.



Fast Switching Valve

Compact design individual switching circuit ensures quick operation of rock valve.



Remote Control

The Concrete pump comes complete with a 10 meter cable remote control as a standard feature.



Hydraulics

All SCHWING concrete pumps have an output governed hydraulic pump that ensures that the prime mover is never overloaded, the automatic governor splits available engine output optimally into oil flow and oil pressure and allows the concrete pump to run at the best possible output level. At the same time, the manual de-stroker valve can be used to set the pump to a required fine tuning to set stroke rate and output independent of the automatic governor. The open circuit, combined with the SCHWING designed "Hi-flow" spool block ensures minimum heat generation in the hydraulics, so that there is minimum stress on the hydraulic components.

Easy Maintenance

The easy access to all the parts of the machine ensures that there is minimum time requirement for maintenance, so your machine is up and running in no time at all.

SCHWING Pumps - Higher, Faster, Fuel Efficient

Pumping

The pump has two powerful differential and pumping cylinders. The prodigious combined capacity and performance of these cylinder systems ensures a high output. Our pumps are designed to offer you maximum output with minimum number of strokes to increase the life of the cylinders.



SP 2509




SP 2800

TECHNICAL DATA

Parameters	Unit	SP 2509 D / E		SP 2800 D / E	
Engine / Motor Capacity	kW	132		132 / 132	
Nominal speed	min ⁻¹	2200		2200	
Pumping Cylinder Ø x Stroke	mm	180 x 1600		200 x 1600	
Differential cylinder drive		Piston Side	Rod Side	Piston Side	Rod Side
Max. Strokes per minute	No.s	14	26	19/19	33/33
Max. theor. Concrete Output	m ³ /h	35	64	58/58	101/101
Max. Concrete pressure	bar	142	79	119	66
Capacity of Charging Hopper	litres	600		600	
Dead Weight incl. oil and Fuel	kg	5300		5300	
Delivery line Ø up to	mm	150		150	

SCHWING - STETTER ALWAYS CLOSE TO THE CUSTOMER.



-  Sales Office
-  Resident Engineer
-  Resident Engineer with Spares Depot
-  Service Centre with Spares Depot
-  Dealership Support
-  Customer Training Center

SCHWING STETTER (INDIA) PVT LTD

An ISO 9001 : 2015 Company

<p>CORPORATE OFFICE : F 71 - 72, SIPCOT Industrial Park, Irungattukottai, Sriperumbudur Taluk, Kancheepuram District, Tamil Nadu - 602117. Tel : 044 - 71378100 / 106 Fax : 044 27156539 Email : chennai@schwingstetterindia.com</p>	<p>Mumbai : 620/621, Nirmal Lifestyle Corporate Centre, 6th floor, LBS Marg, Mulund (West), Mumbai 400080. Tel : 022 25624863 / 64, 30718300, 71378100 Fax : 022 25624865 / 66 Email : mumbai@schwingstetterindia.com</p>	<p>New Delhi : 19, Okhla Industrial Estate, Phase III, New Delhi - 110 020. Tel : 011 30928500 Fax : 011 30928530 Email : newdelhi@schwingstetterindia.com</p>
<p>Kolkata : Y6, Block EP, Sector V, Electronics Complex, Salt Lake City, Kolkata-700091. Tel: 033 40823300 Email : kolkata@schwingstetterindia.com</p>	<p>Hyderabad : No.8-2-268/1/C, Plot 2, Road 3, Arora Colony, Banjara Hills, Hyderabad-500034. Tel: 040 33555588 / 30948601 Fax: 040 23731770 Email : hyderabad@schwingstetterindia.com</p>	<p>Mohali : D 91-PH-VII, Industrial Area, Mohali, Punjab - 160 055. Tel : 0172 3957500 / 3957501 Email : chandigarh@schwingstetterindia.com</p>
<p>Bengaluru : No 138-B, "UDAYAGIRI COMPLEX", 3rd Phase, KIADB Industrial area, Peenya, Bangalore - 560058. Tel : 080 3355 5588 Fax : 080 3011 4301 Email : bangalore@schwingstetterindia.com</p>	<p>Visakhapatnam : Plot No.54, IDA - Block 'D', Expansion, Auto nagar, Visakhapatnam - 530 012. Tel : 09100061783 Fax: 0891 2706063</p>	<p>Jammu : C/o. VRL Logistics Limited, Plot No. 19, Transport Nagar, Narwal, Jammu - 180006. Tel : 099060 35941.</p>
<p>Ahmedabad : 103, Shivalik Arcade, 100 Ft., T.P Anand Nagar, Satellite Road, Ahmedabad 380 051. Tel : 079 71378100 Fax : 079 4006 4084 Email : ahmedabad@schwingstetterindia.com</p>	<p>Cochin : No.134 / 1404 B, Arakkakadavu Road, Anchumana, Edappally P.O. Cochin - 682 024. Tel: 0484 - 3355558 / 4055544 Fax: 0484 4506165 Email : cochin@schwingstetterindia.com</p>	<p>Bhubaneswar : Plot No:182, Naharkanta, Rudrapur, Beside Puri Main Canal, NH5, Bhubaneswar - 752101, Odisha. Tel : 9078884484 / 85</p>
<p>Pune : Baner Biz Bay, A Wing, 7th Floor, Office No. A-701 & 702, Baner Road, Near D-Mart, Pune - 411 045. Email : pune@schwingstetterindia.com</p>	<p>Coimbatore : 2005, Trichy Road, Old Rajalaxmi Mills, Singanallur, Coimbatore-641005. Tel: 0422 3223660 Email : coimbatore@schwingstetterindia.com</p>	<p>Raipur : NH-6, Opposite Vardhaman Motor, Kumahari, Dist - Durg, Chhattisgarh - 490042. Tel : 07821 247066 Email : sunil.kumar@schwingstetterindia.com</p>
<p>Patna : C/o. House of Ashok Kumar Rana, Ground & First Floor, Samridhi Bhawan, Agamkuan Road, Shivaji Colony, Pahari More, Patna - 800007, Bihar. Tel : 09570996702 Email : rajiv.chandra@schwingstetterindia.com</p>	<p>Surat : Shop No. 128, First Floor, Aagam Orchid, TP Scheme No 6, Opp. Shiv Kartik Complex, Off VIP Road, Nr. Shrungar Building, Nr Nandini 2, Vesu, Surat-395007 Tel : 08980002726 Email : ahmedabad@schwingstetterindia.com</p>	<p>Guwahati : House No. 161, Jaya Nagar, Six Miles, Khanapara, Guwahati 781 022. Tel: 0361 2234738 / 099575 66738</p>
<p>Goa : C/o Agarwal Packers and Movers Limited, Plot No X-1, Verna Industrial Estate, Verna, Goa - 403722. Tel: 09820203847 Email : sohit.chakhaiyar@schwingstetterindia.com</p>	<p>Nagpur : C/o Amrut Dairy Farm, No. 118, Opp VCA Stadium, Jamtha, 16th KM Milestone, NH-7, Wardha Road, Nagpur - 441108. Tel : 09820203847 Email : sohit.chakhaiyar@schwingstetterindia.com</p>	<p>Indore : Plot No.1074/9/1, A.B. Road (By-Pass), (Opp) Silicon Valley Housing Project, Rau-453331, Indore - 452010. M.P Tel : 8085966587 Email : ahmedabad@schwingstetterindia.com</p>
		<p>Jaipur : F-551, Road No. 6, Lehar Choraha, Vishwakarma Industrial Area (VKI Area), Jaipur - 302 013, Rajasthan. Phone: 09672423444</p>

The Data given in this brochure are subject to change without notice.